



# StaySharp™ Max

THE WORLD'S MOST ADVANCED REEL MOWERS®

Para ver la versión en español, vaya a la página N° 19

**FISKARS®**

## StaySharp™ Max (18")

THE WORLD'S MOST ADVANCED REEL MOWERS™

Model Number: 6201

Fill in the following information for easy reference.

Serial Number: \_\_\_\_\_  
(located on the lower back portion of the mower)

Date of Purchase: \_\_\_\_\_

**Register:** Go to [fiskars.com/registration](http://fiskars.com/registration) to register your StaySharp™ Max Reel Mower.

### LIMITED THREE-YEAR WARRANTY

Fiskars warrants to the original consumer purchaser that its Lawn Mower products are free from defects in materials and workmanship appearing under normal use within three (3) years after the date of purchase. This warranty does not cover damage to Lawn Mower products caused by abuse, acts of God, your failure to follow product instructions, mishandling or unauthorized repair. THIS WARRANTY IS IN LIEU OF ALL OTHER EXPRESS WARRANTIES; AND ANY IMPLIED WARRANTIES, INCLUDING BUT NOT LIMITED TO ANY IMPLIED WARRANTY OF MERCHANTABILITY OR FITNESS FOR PARTICULAR PURPOSE, ARE LIMITED TO THE DURATION OF THIS WARRANTY. IN NO EVENT WILL FISKARS BRANDS, INC. BE LIABLE FOR ANY INCIDENTAL OR CONSEQUENTIAL DAMAGES. Some states do not allow limitations on how long an implied warranty lasts and/or the exclusion or limitation of incidental or consequential damages, so the above limitation and/or the above exclusion may not apply to you. This warranty gives you specific legal rights, and you may also have other rights which vary from state to state. As its sole responsibility and your sole remedy for any warranted defect, Fiskars Brands, Inc. will replace any defective part of the Lawn Mower, containing a warranted defect, free of charge, with proof of purchase and notification within a reasonable period of time (but no longer than 6 months) following the discovery of such defect. For warranty service, email [warranty@fiskars.com](mailto:warranty@fiskars.com) or call 1-877-201-3260.

83001816r6

### Contents:

Safety Information .....	3
StaySharp™ Max Technologies .....	4
Mower Anatomy .....	5
Assembly .....	6–7
Adjusting Your Mower .....	8–9
Checking Cutting Performance .....	10–11
Using Your Mower .....	12–13
Troubleshooting.....	14–15
Care and Maintenance .....	16–17

Before assembling or using the mower, read through the entire manual and fully understand the safety information.

## CAUTION Safety Information

Do not use mower if in poor health.

Do not operate with missing or damaged guards.

Always wear safety glasses, gloves and closed-toed shoes when operating and maintaining your mower.

Never place hands, fingers or feet in the reel. When the reel is spinning, it will cut.

Always remove debris from path of mower.

Always have sound footing when using the reel mower, especially on wet grass or on slopes (inclines).

Use safe lifting practices when moving mower.

Do not allow children under 12 to use mower.

Do not operate around children, other people or pets.

Do not run while using the reel mower.

Do not use mower on surfaces other than grass.

Make sure your mower is in safe operating condition by following the tips outlined in this manual.

Do not use this mower if it becomes damaged. Call 1-877-201-3260.

## Congratulations!

You are now the owner of one of The World's Most Advanced Reel Mowers™. If you have used a reel mower before, you will immediately appreciate the advantages offered by your new reel mower. If this is your first reel mower, you will likely require a short transition period as you adjust to using a reel mower. For more information on how to enjoy all the benefits of your reel mower, see **Using Your Mower** on page 12. Also, remember that **Fiskars customer service team and website are both available to you should you need additional help.**

## Questions? Suggestions?

Don't return to the store. We're here to help.

 Call our customer service team at 1-877-201-3260

 Visit our website at [fiskars.com/reelmowers](http://fiskars.com/reelmowers)

Save this manual for future reference.

**60% Easier to Push** Most reel mowers can be difficult to push — especially in longer grass. The advanced technologies combine to reduce push force by 60%.

### StaySharp™ Cutting System, Fiskars Exclusive

**What is it?** Fiskars' exclusive StaySharp™ Cutting System uses precision-ground, hardened steel blades engineered to efficiently cut grass without actually touching, greatly reducing friction and blade wear.

**How is it different?** Standard reel mowers rely on contact between the cutting reel and stationary blade for cutting. This steel-on-steel contact creates friction and causes blade wear. As a result, the blades on standard reel mowers dull quickly and require costly annual sharpening to maintain peak performance.

**Why is it important?** Since the StaySharp™ Cutting System cuts grass without the blades touching, friction and blade wear are greatly reduced. As a result, long-lasting performance is maintained without the cost and inconvenience of annual blade sharpening.

### InertiaDrive™ Reel, Patent Pending

**What is it?** Fiskars' patent-pending InertiaDrive™ Reel combines a large-diameter cutting reel and thick blades to store energy (like a flywheel) until a burst of extra cutting power is needed.

**How is it different?** Standard reel mowers use small-diameter cutting reels with thin blades. These reels and mowers lack cutting power and frequently jam when cutting small twigs, weeds or dense grass. When this happens the cutting reel seizes, completely stopping the mower. The obstruction must be removed before mowing can resume.

**Why is it important?** InertiaDrive™ Reel uses the mower's large-diameter cutting reel and heavy blades to store energy (like a flywheel) until a burst of extra cutting power is needed. When a tough spot is encountered, the InertiaDrive™ Reel delivers twice the energy to power through without jamming — providing a superior cut without interruption.

### VersaCut™ Technology, Patent Pending

**What is it?** Fiskars' patent-pending VersaCut™ Technology uses a unique front-wheel cut height adjustment to lift the entire cutting system and maintain superior blade positioning to provide maximum cutting versatility for all types of grass and mowing habits.

**How is it different?** Standard reel mowers use a rear-wheel cut height adjustment that relies solely on bed knife rotation around the reel. This severely limits both the maximum cut height and range of cut height and, as a result, limits the types of grass that can be cut.

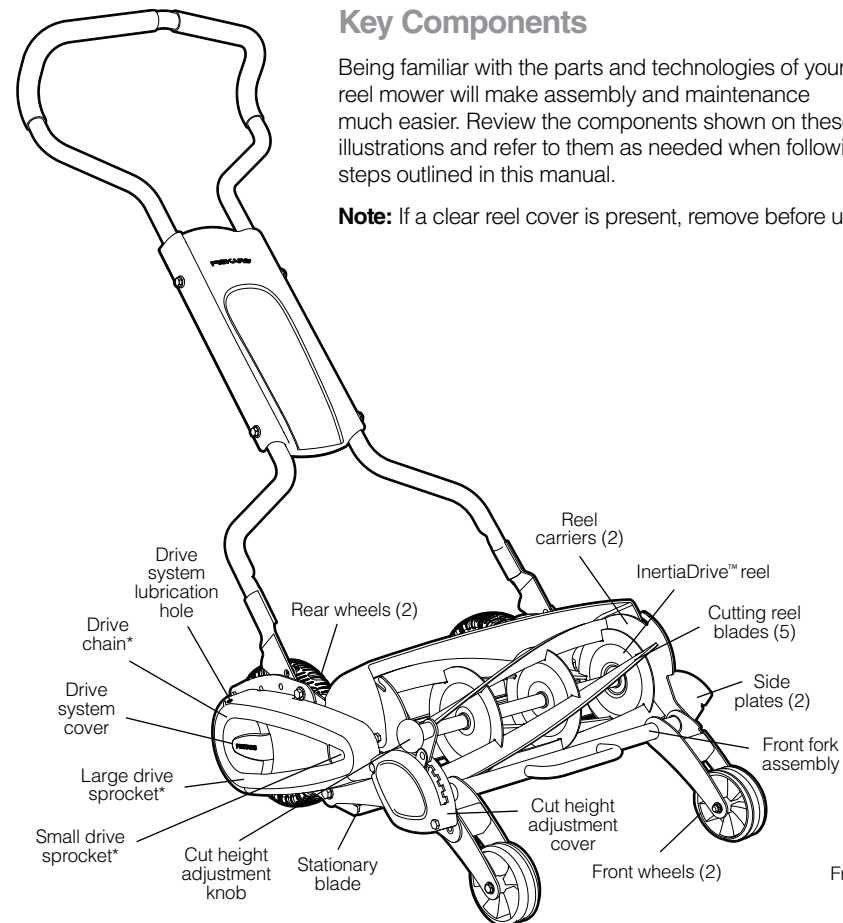
**Why is it important?** VersaCut™ Technology provides the greatest cut range of any reel mower with 1" to 4" cut height settings. The 4" maximum cut height is vital when a week of mowing is missed. Moreover, VersaCut™ Technology's superior blade positioning and the extra cutting power of InertiaDrive™ Reel combine to effectively cut both cool and warm season grasses, including tough southern varieties. VersaCut™ Technology also enables one-touch height adjustment for easier, more comfortable use.

### Inset Wheel Design, Fiskars Exclusive

**What is it?** Fiskars' Inset Wheel Design incorporates chain drive to allow the cutting blades to be positioned in front of the drive wheels and extend across the full width of the mower.

**How is it different?** Standard reel mowers use gears to transfer rotation from the drive wheels to the cutting reel. This requires the cutting blades to be inside the drive wheels, rather than extended across the full width of the mower. Consequently, standard reel mowers cannot cut across their entire width, making close edging impossible and leaving 3" wide uncut strips under each wheel.

**Why is it important?** Since the Inset Wheel design allows the cutting blades to extend across the full width of the mower, there are no uncut strips under the wheels. It also allows the mower to edge closer than any other reel mower.

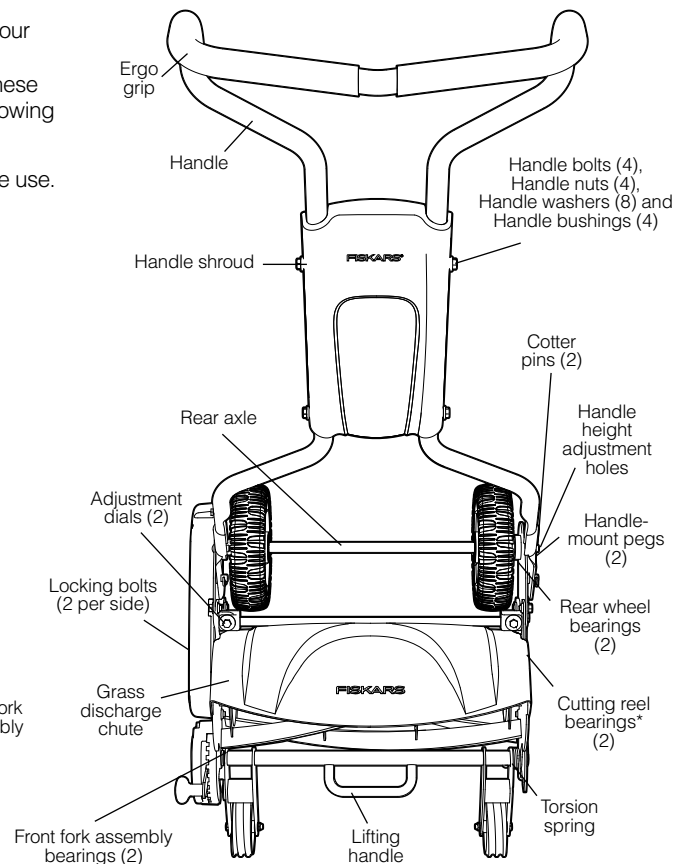


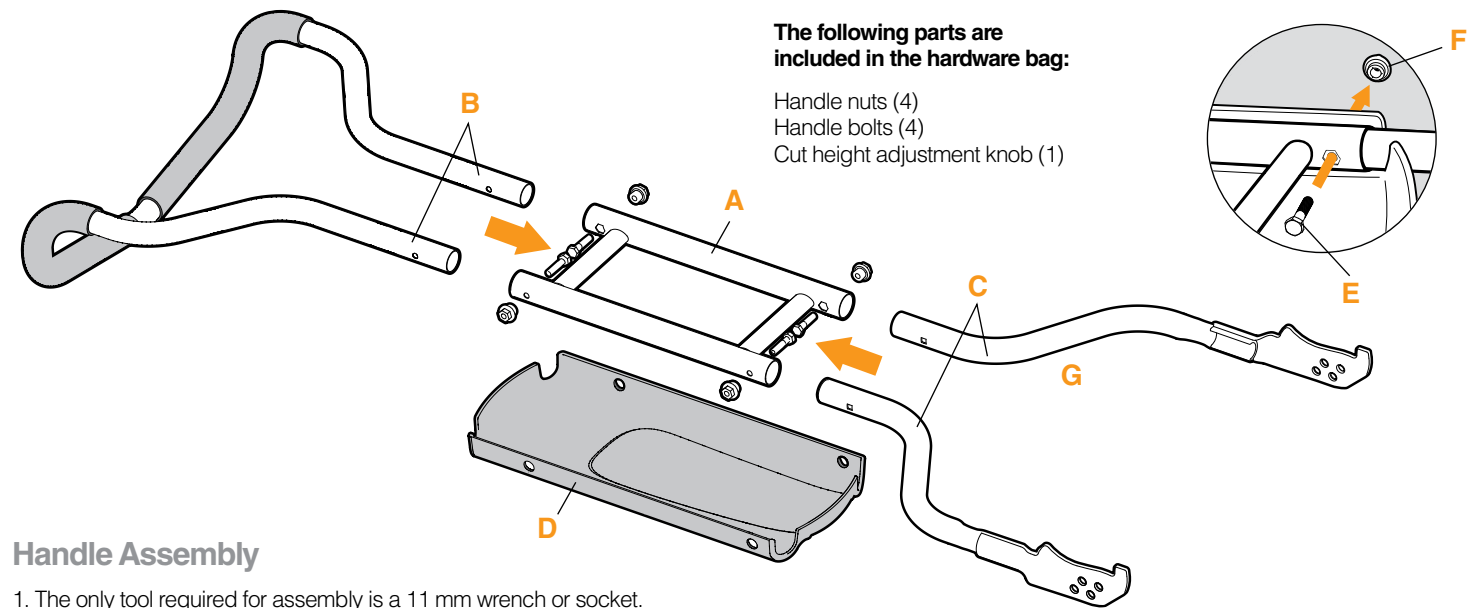
\*Located under cover (not visible)

### Key Components

Being familiar with the parts and technologies of your reel mower will make assembly and maintenance much easier. Review the components shown on these illustrations and refer to them as needed when following steps outlined in this manual.

**Note:** If a clear reel cover is present, remove before use.





The following parts are included in the hardware bag:

- Handle nuts (4)
- Handle bolts (4)
- Cut height adjustment knob (1)

### Handle Assembly

1. The only tool required for assembly is a 11 mm wrench or socket.
2. Lay out the handle parts as shown above. Note the center handle section (A) is symmetrical.
3. Insert the free ends of the upper handle section (B) into the center handle section (A), making sure the arch of the upper handle section is down. Roughly align the holes.
4. Insert the two lower handle sections (C) into the center handle section (A), making sure the pointed ends of the lower handle sections are up as shown. Roughly align the holes.
5. Slide handle shroud (D) into place from below with the Fiskars logo facing down and toward the upper handle section (B).

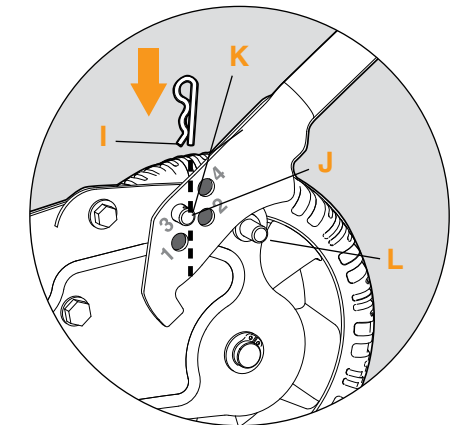
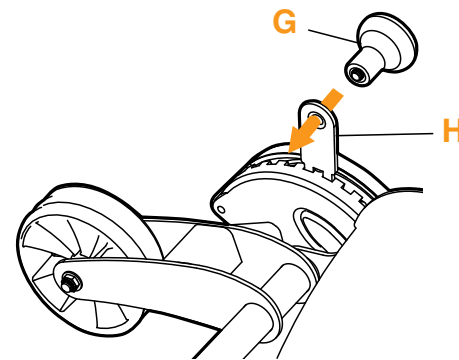
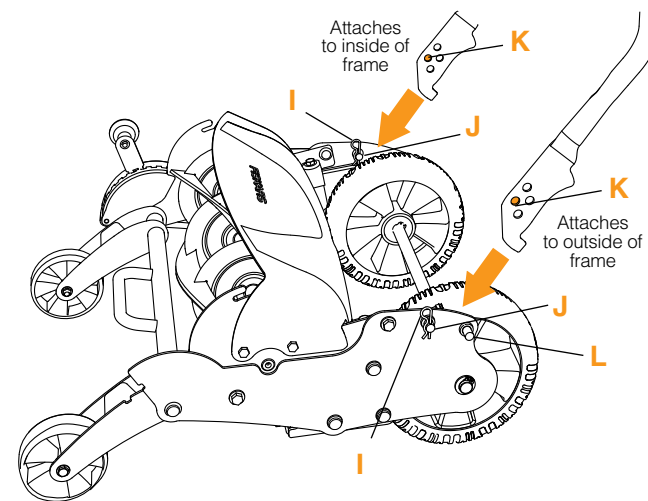
6. Align holes in handle sections and shroud (D). Slide a handle bolt (E) through from the inside, so that the end comes through the hole of the handle shroud. Repeat for the remaining three handle bolts.
7. Align the hex-shaped bolt head with the hex-shaped cutout in the center handle section (A) and then hand tighten a handle nut (F) onto the bolt. Repeat for the remaining three handle nuts.
8. Using a wrench, tighten the four handle nuts (F) until they are snug.

### Cut Height Adjustment Assembly

1. Check the front of the cutting reel for a clear, thin plastic shipping shield that extends downward from the grass discharge chute. If the shield is present, remove and discard it prior to first use.
2. Screw the cut height adjustment knob (G) tightly onto the exposed lever (H) by hand.

### Attaching the Handle

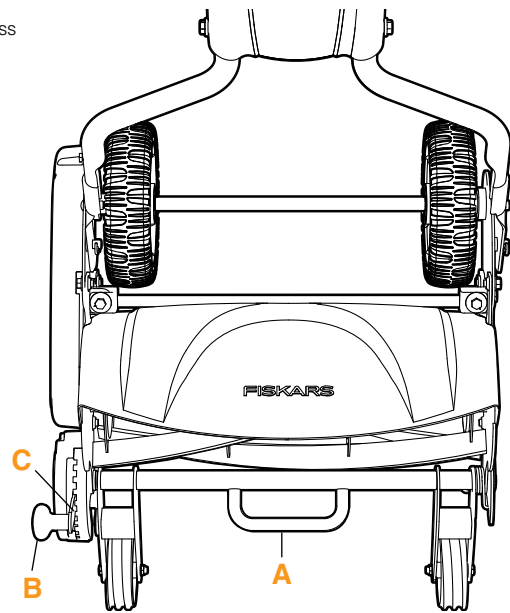
1. Remove the two cotter pins (I) from the handle-mount pegs (J).
2. Slide hole number 3 (K) of the handle onto the handle-mount pegs (J) and then release the handle until it rests on the handle-stop peg (L).
3. Insert the cotter pins (I) to secure the handle into place.



**Hint:****Cut Height Adjustment**

Facing the front of the mower, place your right hand on the lifting handle (A) to support the mower during adjustment. Use your left hand to pull the cut height adjustment knob (B) away from the mower and move to your desired cut height. Then release the knob making sure the lever (C) snaps back into place.

Length of grass after cutting (cut height)

**Handle Height Adjustment**

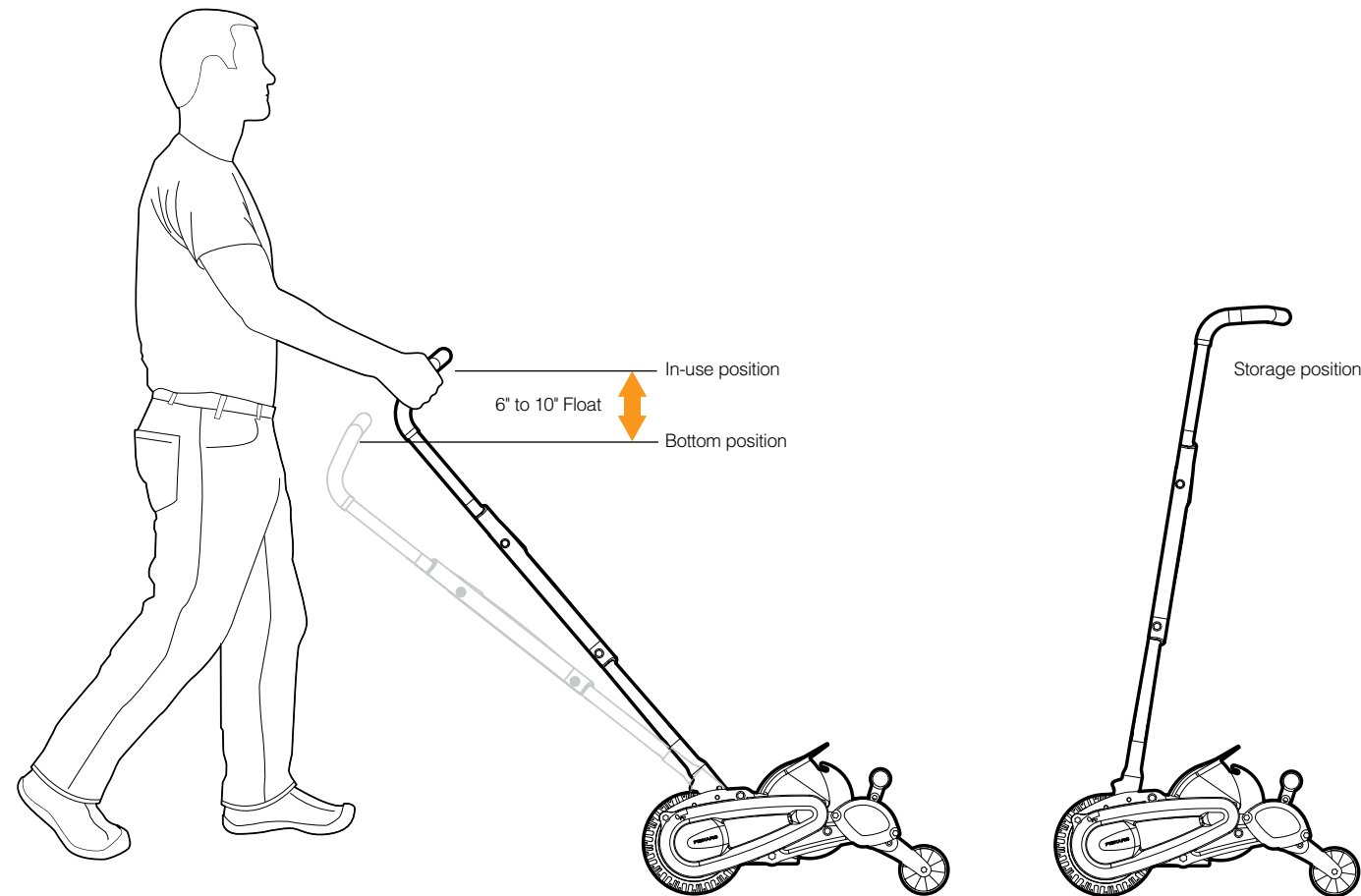
**IMPORTANT:** To maximize comfort and control, your mower features a height adjustable handle. The handle is designed to “float” between its bottom and in-use positions. The bottom position is used to pivot through turns. The in-use position should be 6” to 10” above the bottom position. Lifting the handle in this fashion keeps the front end from rising off the ground to ensure an even cut. **Since selecting the correct handle height is extremely important, it is worth the trial and error that may be required to find the ideal height.**

1. Before adjusting the handle height, it is important to set the mower to the cut height that you will use most frequently (see hint to left).

2. Push the mower forward several feet, then turn it around as you would at the end of a mowing run. If you can push the mower comfortably without the front end rising and can turn the mower without hunching over, you have the handle set properly.

- If the front end rises, you have the handle set too high. Lower the handle by using hole 2 for a slight adjustment or hole 1 for a greater adjustment.
- If you have to hunch over a great deal to turn, you have the handle set too low. Raise the handle by using hole 4.

3. As the cut height is adjusted, the handle's bottom position will also move. Consequently, you may need to adjust the handle height if you drastically change the cut height. Adjustment may also be needed if you share mowing duties with someone else.





**IMPORTANT:** The StaySharp™ Cutting System is engineered to cut grass without contact between the blades. This cutting system was precision set during assembly. However, since slippage may possibly occur during shipping, handling or use, it is very important to check the cutting performance prior to first use and periodically thereafter. Since slippage can occur in two directions, two checks are required to evaluate cutting performance — both checks need to be performed on both the left and right sides of the mower. **Checking the cutting performance, and adjusting if needed, is the most important thing you can do to ensure that your mower always performs optimally.**

## Preparation

1. You'll need several 1" wide strips of standard printer paper (not newspaper) about 8" long, a pair of work gloves and a wood block.

**WARNING:** The mower blades are sharp. Wear gloves when performing this procedure, and keep fingers away from the interface between the reel and stationary blade.

2. Ensure that the mower cannot roll forward by positioning it on a firm, level surface with a block in front of the rear wheels. Then raise the mower to the highest cut height position to improve access.

## Check #1: Do the Blades Make Contact?

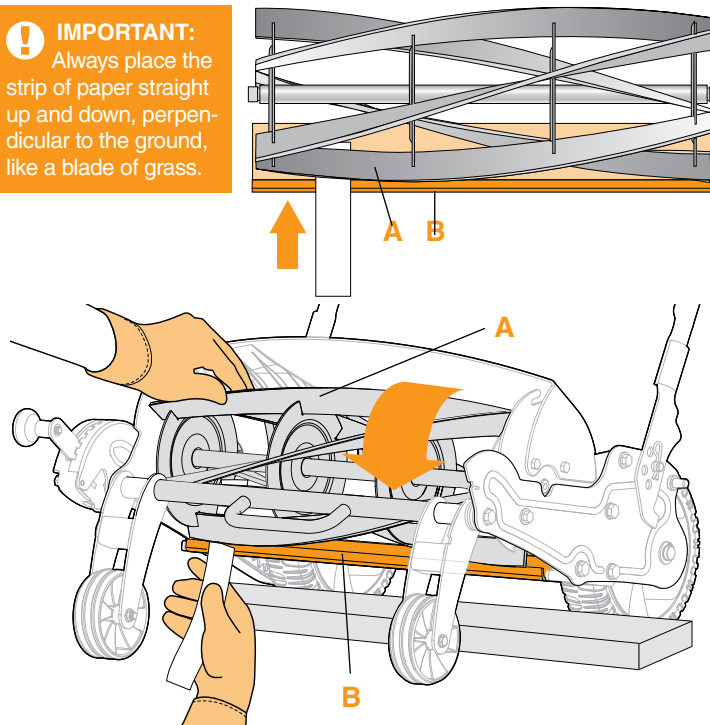
1. To check if the blades make contact, face the front of the mower and slowly pull the cutting reel (A) downward, one blade at a time, through a full rotation or two. If you hear scraping or feel resistance, skip the remainder of this section and proceed to *Adjusting the Blades* on page 11.

**ATTENTION:** If the cutting reel and stationary blade make contact the mower will be difficult to push and may dull the blade.

## Check #2: Do the Blades Cut Properly?

1. To check if the blades cut properly, you will need to check the blades on both the left and right side of the mower. On the left side, feed a strip of paper up vertically from under the mower between a cutting reel blade (A) and the stationary blade (B). About half an inch of the strip should be visible above the stationary blade.

**IMPORTANT:** Always place the strip of paper straight up and down, perpendicular to the ground, like a blade of grass.



**WARNING:** Keep your fingers away from the cutting region; they should be below the stationary blade.

2. Pull the cutting reel (A) downward, observing whether the paper is cut as the first cutting reel blade passes.
3. Slide the paper up a half an inch at a time to check the other blades.
4. Move to the right side of the mower and check if the blades cut on that side properly.
5. If most of the blades cut on both sides, the cutting system is set correctly. If most of the blades do not cut, the cutting system needs to be adjusted. Proceed to *Adjusting the Blades* below.

**ATTENTION:** Failure to correct an improperly set cutting system will result in poor cutting performance and uncut blades of grass.

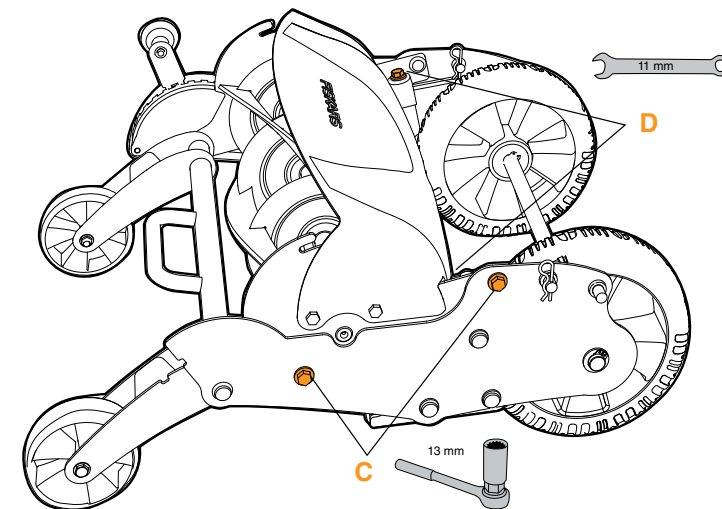
## Adjusting the Blades

Adjust the blades as needed. If issues exist on both sides of the mower, address them one side at a time.

1. The tools required are an 11 mm and 13 mm wrench.
2. Using the 13 mm wrench, loosen the two locking bolts (C) on the side you are correcting approximately one full turn to allow for adjustment. These bolts are tight from the assembly process to prevent any movement in shipping, and may require some extra leverage. Use a deep-well socket or a regular socket with an extension for best results.
3. Using the 11 mm wrench, adjust the blades using the adjustment dial (D) on the appropriate side. Note: the nut below the dial will move during adjustment.
  - If the blades are making contact, turn the dial counter-clockwise while rotating the cutting reel, stopping as soon as the blades lose contact.
  - If the blades didn't cut paper, turn the dial clockwise while rotating the cutting reel just until the blades make contact. Then turn the dial counter-clockwise to back off slightly.

4. When properly adjusted, the cutting reel and stationary blade should be just short of making contact. When the blades are properly adjusted, firmly tighten the locking bolts on the side you adjusted. Confirm the cutting performance has been corrected on this side by once again performing the two checks. If issues exist on the other side of the mower, repeat adjustment steps.

**Hint:** If you have followed the directions for adjusting the blades and are still not cutting paper on one or both of the sides of the mower, tighten the locking bolts as directed in step four and take the mower out for a test pass. If the mower cuts to your satisfaction and the blades do not make contact, you have adjusted the mower correctly.



Your reel mower has been designed and engineered to deliver best-in-class cutting performance and a superior mowing experience. However, there are several basic things you can do when mowing that will greatly impact both your mower's performance and your mowing experience. If you have used a reel mower before, you will immediately appreciate the advantages offered by the StaySharp™ Max mower's advanced cutting technologies and design features. If this is your first reel mower, you will likely require a short transition period as you adjust your mowing habits to maximize efficiency and effectiveness. The information below will help both experienced and new reel mower users enjoy all the benefits of the reel mower. Also, remember that Fiskars customer service team and website are both available to you should you need additional help.

## Mowing Tips

**For a healthy lawn, cut off no more than 1/3 of the grass length.** To maintain a healthy lawn and eliminate the mess created by very long grass clippings, cut off no more than one-third of the grass length at a time. If more than one-third of the length is removed, root growth will be impaired and the grass will be stressed, making your lawn susceptible to weed invasion, disease and poor appearance. If your lawn gets too high, cut off one third of the length, wait a couple days, and then cut off another third.

**To prevent mower damage, clear the mowing area of debris in advance.** Before starting, inspect the area to be mowed and remove stones, medium-sized or larger sticks, trash and other debris.

**If you hit hard debris, stop and inspect the blades.** If you strike a stone, large stick or other hard object with the cutting blades, stop mowing immediately and check for a jam or damage. If the blades are damaged, pull the mower backward to an appropriate work area and follow the instructions in *Care and Maintenance* on page 16. Continuing to mow with damaged blades may make repair impossible.

**To maximize cutting power, walk briskly.** The cutting power of the InertiaDrive™ Reel increases with the speed of the mower. This means that the faster you walk, the better your mower will cut. While it is not necessary to run, if you're used to mowing at a very leisurely pace, try walking just a little more quickly.

**For efficient mowing, cut your lawn in long, straight lines.** Since reel mowers only cut grass when they are moving, lay out your mowing pattern to maximize the amount of long, straight runs and to minimize starts and stops. Overlapping wheel tracks will ensure a complete and uniform cut (see figure on page 13).

**Precut a turnaround zone to ease turns against obstructions.** If any mowing runs end against an obstruction (garden, foundation, fence, etc.), begin by making one or two mowing passes along the obstructions to provide a turnaround zone.

**For closest edging, use the left side of the mower.** To edge closely against gardens, foundations, fences and other barriers, use a mowing pattern that positions the left side of the mower toward the barrier.

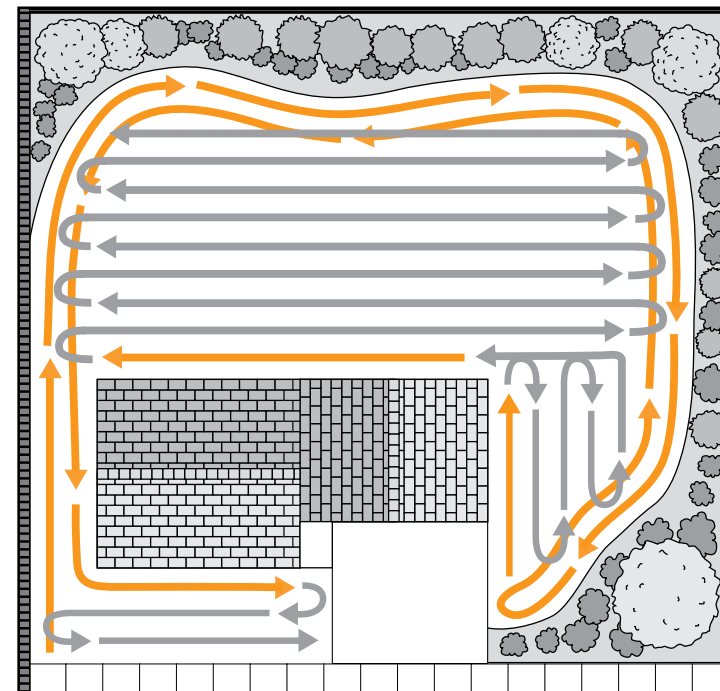
**Scotts, Lawns: Your Guide to a Beautiful Yard, Second Edition, recommends the following cut heights:**

### Cool Season Grasses

Bluegrasses (2" to 4")  
Fescue (2" to 4")  
Ryegrass (2" to 4")

### Warm Season Grasses

Bermuda (½" to 2")  
St. Augustine (2" to 4")  
Zoysia (¾" to 2")  
Bahia (2" to 4")



Orange arrow: Edging and turnaround zone cutting

Grey arrow: General mowing

## CAUTION Safety Information

Do not use mower if in poor health.

Do not operate with missing or damaged guards.

Always wear safety glasses, gloves and closed-toed shoes when operating and maintaining your mower.

Never place hands, fingers or feet in the reel. When the reel is spinning, it will cut.

Always remove debris from path of mower.

Always have sound footing when using the reel mower, especially on wet grass or on slopes (inclines).

Use safe lifting practices when moving mower.

Do not allow children under 12 to use mower.

Do not operate around children, other people or pets.

Do not run while using the reel mower.

Do not use mower on surfaces other than grass.

Make sure your mower is in safe operating condition by following the tips outlined in this manual.

Do not use this mower if it becomes damaged. Call 1-877-201-3260.

**Problem: The mower leaves some uncut blades of grass.**

**Is your grass very long or are tall weeds present?** If grass over 6" long or tall weeds are present, they may be knocked down by the mower's front fork assembly. If this happens, either pull these long stragglers by hand or make a second mowing pass to try and cut them. To prevent this entirely, never let your grass grow longer than 6".

**Does the front of the mower rise off the ground?** If the adjustable handle is set too high, the force you exert when pushing the mower may cause the front wheels to rise up off the ground, resulting in uneven cutting. If this happens, refer to *Adjusting Your Mower* on page 8.

**Are the blades set improperly?** While your mower's cutting system was precision set during assembly, it is possible that some slippage may occur during shipping, handling and operation. To check if the cutting system is set properly, refer to *Checking Cutting Performance* on page 10.

**Problem: The mower is hard to push or the reel doesn't spin freely.**

**Are you trying to cut too much grass?** The mower may become hard to push or even clog if the cut height is set too low for the length of the grass being cut. If this is the case, readjust the cut height so that you are cutting no more than 1/3 of the length of the grass.

**Is the mower awkward to push?** If the adjustable handle is set too high, it may feel awkward while pushing. If this happens, refer to *Adjusting Your Mower* on page 8 for instructions on lowering the handle.

**Is the drive train obstructed?** If you find that your mower becomes harder to push, examine the ends of the reel and the wheels to see if grass clippings or other debris have caused a jam. If an obstruction is present, clear it with a long bristled brush or soft tool.

**Are the blades making contact?** While your mower's cutting system was precision set during assembly, it is possible that some slippage may occur during shipping, handling and operation. To check if the cutting gap is set properly, refer to *Checking Cutting Performance* on page 10.

**Problem: Turning the mower is difficult or requires stooping.**

**Is the handle height set properly?** If the adjustable handle is set too low, turning your mower may require you to stoop over. If this happens, refer to *Adjusting Your Mower* on page 8 for instructions on raising the handle.

**Problem: The mower makes a scraping or tinging noise.**

**Does the drive chain need to be lubricated?** Your mower features a powerful chain drive. The chain itself is similar to the chain on a bicycle, and like a bicycle, the chain may make a noise or become hard to move when rusted or in need of lubrication. To fix this problem, lubricate the chain through the access hole in the chain cover as described in *Care and Maintenance* on page 16.

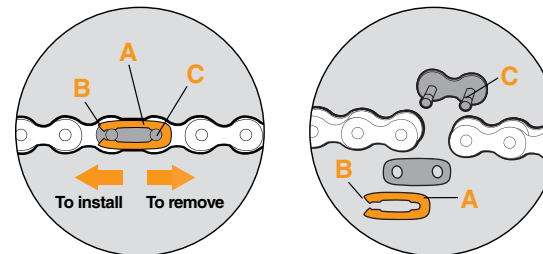
**Is the cutting reel or stationary blade damaged?** While your mower has hardened blades, blade damage can still occur if rocks, concrete edges or other hard debris are struck. If this happens, the damaged area of the blade may cause a high-pitched sound when it passes the other blade. See *Care and Maintenance* on page 16 for additional details.

**Are the blades making contact?** While your mower's cutting system was precision set during assembly, it is possible that some slippage may occur during shipping, handling and operation. To check if the cutting gap is set properly, refer to *Checking Cutting Performance* on page 10.

**Problem: The cutting reel remains stationary when the mower is pushed forward.**

**Did the drive chain come off?** Your mower features a powerful chain drive system. The drive system consists of a chain and two sprockets, similar to those found on a bicycle. While unlikely, slippage during shipping, handling or operation may cause the drive chain to come off or a drive sprocket to loosen. To investigate either condition, use a 10 mm wrench or socket to remove the drive system cover by removing the two bolts that hold it in place. If the chain is off one or both sprockets, follow the steps outlined below. The chain on your mower has a master link, which allows you to remove and install the chain with a flathead screwdriver or a set of pliers. The master link appears slightly different than the rest of the chain links.

- **To remove:** use a flathead screwdriver or pliers to slide the master link plate (A) away from the open end (B). Removing the plate (A) allows the master link to be removed and the chain can be uninstalled from the sprockets (see below).
- **To install:** wrap the chain around both sprockets and close the loop with the master link. Replace the master link plate (A) by sliding it over the pins (C). It will snap in place and sit on the chain as shown (see below).
- **Replace the drive system cover.**



**Did a drive sprocket loosen?** If the chain is on both drive sprockets, with your hands safely away from the cutting reel and the drive system, roll the mower forward and observe both sprockets. If both sprockets turn and the reel does not, the small drive sprocket has come loose. If neither sprocket turns, the large drive sprocket has come loose. To tighten either sprocket, first remove the set screw from that sprocket completely with a 5 mm Allen wrench. After aligning the holes in the sprocket and the shaft, replace and tighten the set screw. It is important that the set screw be tightened so that it extends into the hole in the shaft. Use thread locking fluid if you have it. Test again, to ensure that the drive system is working correctly. Replace the drive system cover. If the set screw is missing, call 1-877-201-3260 for a replacement.

**Has a burr formed on a blade surface?** If the reel will not spin, or the reel stops spinning at a point, a burr may have formed on the reel blades or the bedknife. In most cases, this can be repaired. To remove the burr, you will need a flat file, such as a mill file designed for finishing metal. Position the mower on a firm, level surface, with blocked rear wheels to ensure the mower cannot roll forward. Rotate the reel blades backwards to expose the portion of the reel blade or bedknife with the burr. Keep the face of the file flat on the blade surface, and use long, straight strokes to remove the burr slowly. If possible, avoid removing material from the cutting edge and only file the region that is preventing the reel from spinning freely. When the burr has been filed down to the cutting edge surface, check the cutting gap as described in *Checking Cutting Performance* on page 10.

**Questions? Suggestions?**

**Don't return to the store. We're here to help.**

- ☎ Call our customer service team at 1-877-201-3260
- 🌐 Visit our website at [fiskars.com/reelmowers](http://fiskars.com/reelmowers)



**IMPORTANT:** To ensure long-lasting performance, protect your mower from impact during use and storage, keep it clean and dry and practice regular maintenance as follows.

## General Maintenance

**Keep your mower dry to prevent rust.** Your mower will perform better for longer if it is kept dry. The precision-ground blade edges of the cutting reel and stationary blade and the bearings that carry the cutting reel and the rear axle are most vulnerable to rust. If your mower does get wet, dry it off with a towel and then spray it with a rust preventative as soon as possible.

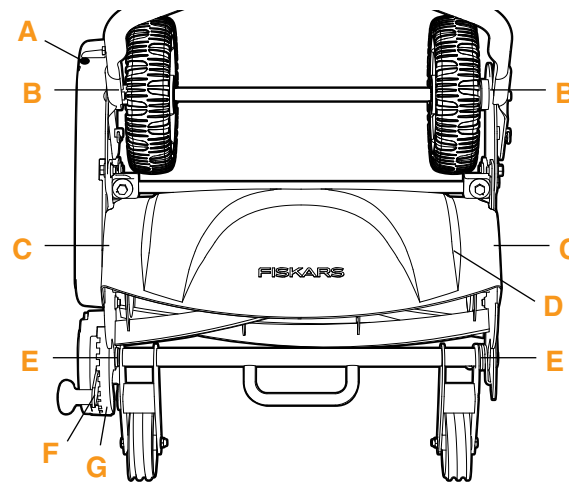
**ATTENTION:** Do not use solvents such as mineral spirits or kerosene to clean your reel mower. They will damage the plastic.

**Hint:** It is recommended that a silicone-based lubricant be used. A lubricant that leaves a dry film instead of an oily or tacky surface is recommended in order to keep dirt, dust and grass clippings from sticking to the reel blades.

**Keep your mower clean to eliminate potential jams and moisture that could cause rust.** Your mower will last longer and look better if it is kept clean. After mowing, use a broom or long-bristled brush to clean any grass clippings or other loose debris from the mower — especially around the cutting reel and the bottom of the drive system cover. Removing grass clippings prevents cutting and drive system jams and eliminates trapped moisture that could cause rust.

**ATTENTION:** Do not use a garden hose to wash your mower. Storing the mower wet will allow rust to form.

**Lubricate moving parts at least once a season and prior to winter storage to maintain peak performance.** Your mower will push easier and last longer if all moving parts are lubricated periodically. It is also recommended that lubrication be applied any time the mower gets wet.



**Drive Chain (A):** Spray lubricant through the drive system lubrication hole while slowly rolling the mower forward to move the chain.

**Rear Wheel Bearings (B):** Spray lubricant between each wheel and side plate.

**Cutting Reel Bearings (C):** Spray lubricant on both ends of the cutting reel shaft, which is located under the grass discharge chute (D).

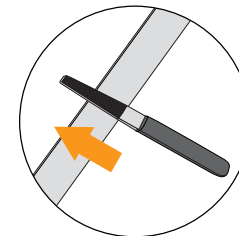
**Front Fork Assembly (E):** Spray lubricant on both ends.

**Cut Height Adjustment Lever (F):** Spray lubricant on the cut height adjustment lever through the slot in the cover (G).

**Inspect your blades at least once a season and anytime your mower strikes a hard object.** While your mower features the Fiskars® exclusive StaySharp™ Cutting System with hardened steel blades, blade damage may still occur if rocks, concrete edges or other hard debris are struck. Before checking for blade damage, ensure that the mower cannot roll forward by positioning it on a firm, level surface with blocked rear wheels. Examine the entire length of the ground edges on all five cutting reel blades and the stationary blade. If a dent or ding is found, determine if the ding causes the cutting reel and stationary blade to touch. To do this, slowly pull the cutting reel downward while listening for scraping and feeling for resistance in the area of the ding. If there is no contact, there is no need to repair the ding. Simply treat it with rust preventative and re-inspect periodically in case raised edges appear with continued use.

**WARNING:** The mower blades are sharp. Wear gloves when performing this procedure, and keep fingers away from the interface between the reel and stationary blade.

**To avoid further damage, repair any ding that causes the cutting reel and stationary blade to touch as quickly as possible.** With care, any ding found can be repaired with little or no impact on your mower's cutting performance. Before beginning, get a narrow fine file (like the one found in the Fiskars' Tool Care Kit, Model 7862) and position the mower on a firm, level surface with blocked rear wheels to ensure that it cannot roll forward. To remove the ding, file away only enough of the raised material to allow the cutting reel to spin without making contact with the stationary blade. File with long, straight strokes perpendicular to the cutting edge of the blade, trying to avoid removing material from the cutting edge itself. When the raised edges are filed down, check the cutting gap as described in *Checking Cutting Performance* on page 10.



**WARNING:** The mower blades are sharp. Wear gloves when performing this procedure, and keep fingers away from the interface between reel and stationary blade.

**ATTENTION:** Do not use a power tool to repair blades. Too much steel will be removed, resulting in severe blade damage and greatly reduced cutting performance.

**To Maintain Peak Cutting Performance.** Your mower features a non-contact StaySharp™ Cutting System that cuts grass without the reel and bedknife blades actually touching. Under normal usage conditions, StaySharp™ blades should stay sharp for the life of the mower. In the unlikely event that the blades on a heavily used mower begin to show signs of wear, Fiskars recommends backlapping to restore the blade edges. Instructions and supplies are available in Fiskars' StaySharp™ Blade Restoration Kit, Model 362150-1001.

**ATTENTION:** Fiskars does not recommend sharpening the StaySharp™ Max mower. The equipment and processes used in home sharpening kits, and even by many professional sharpeners, will likely not be able to achieve the strict tolerances required to maintain the non-contact nature of the StaySharp™ cutting system.

